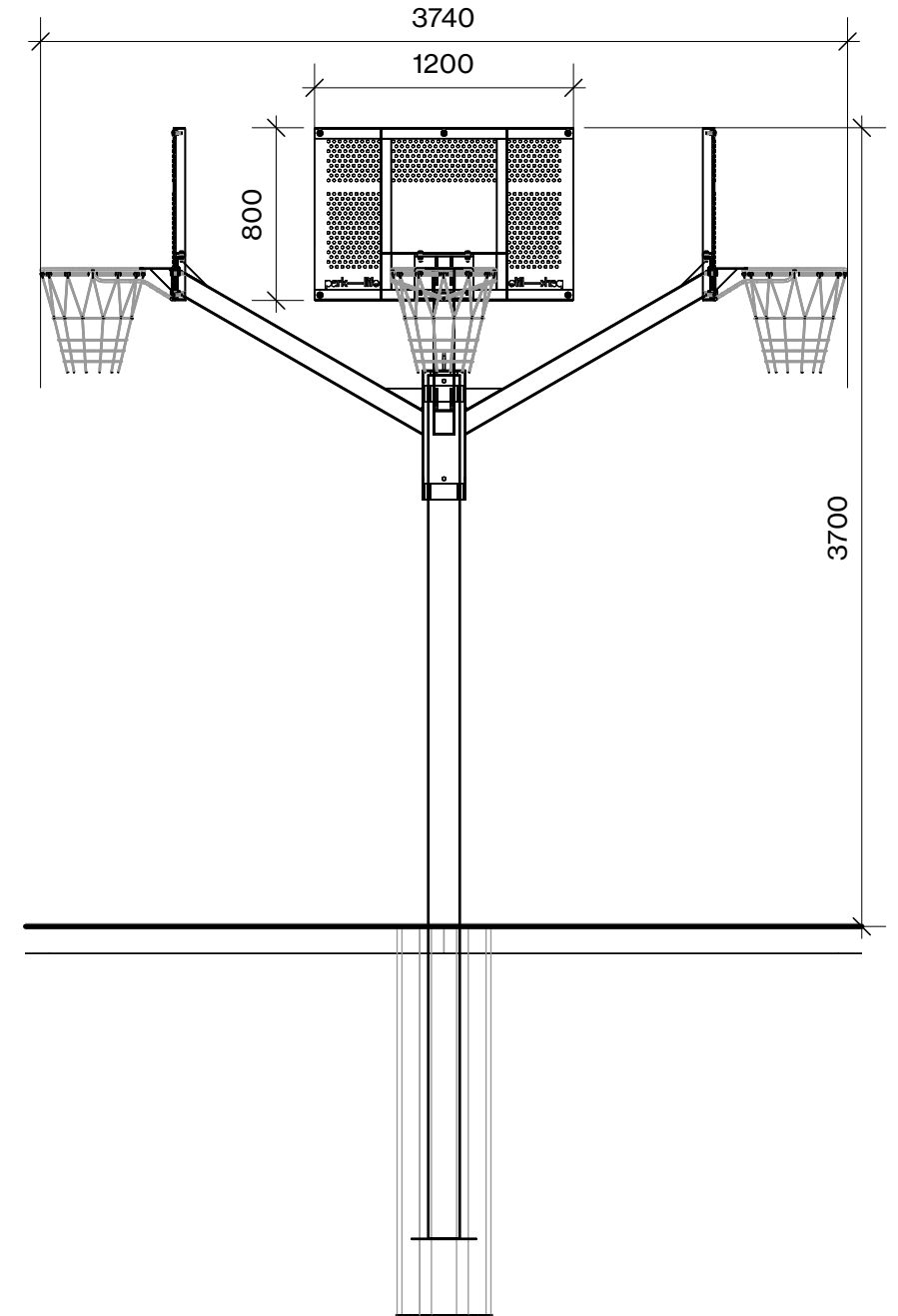
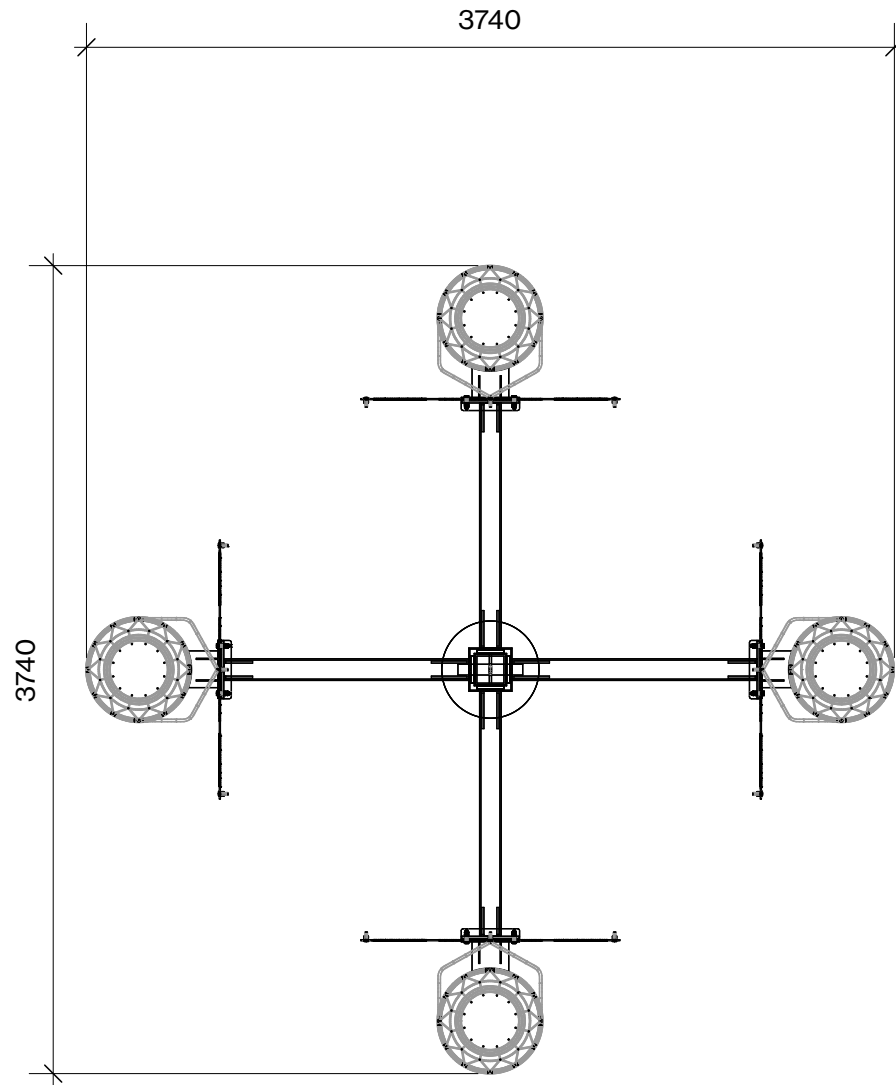
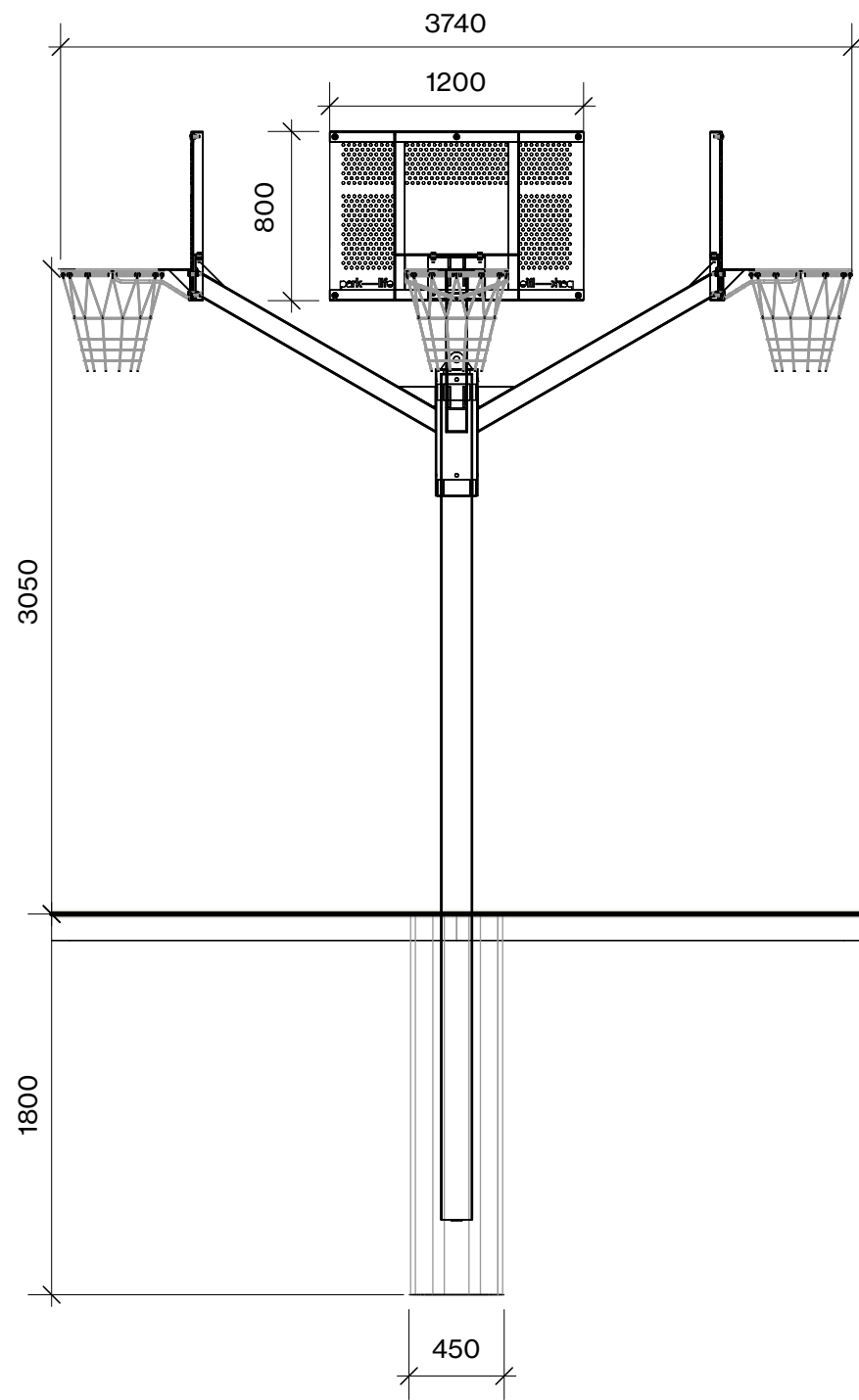


TECHNICAL DRAWING

BB03_BASKETBALL FOUR WAY HOOP_ JUNIOR SCHOOLS_ 2 @ 8' / 2 @ 10'

park—life™



TECHNICAL DRAWING

BB03_BASKETBALL FOUR WAY HOOP_ SENIOR SCHOOLS_ 4 @ 10'

park—life™